

MODEL NO:  
VF42036WB  
VF42036CG  
VF42036WH

**ELEGANT**  
FURNITURE & LIGHTING™

500-550 E. Erie Avenue  
Philadelphia PA 19134  
1-888-388-3390

PROJECT:

SPEC NO:

MODEL NO:VF42036

QUANTITY:

DRAWING APPROVAL STATUS

- APPROVED
- APPROVED AS NOTED
- NOT APPROVED, REVISE AS NOTED

AUTHORIZED SIGNATURE

DATE:

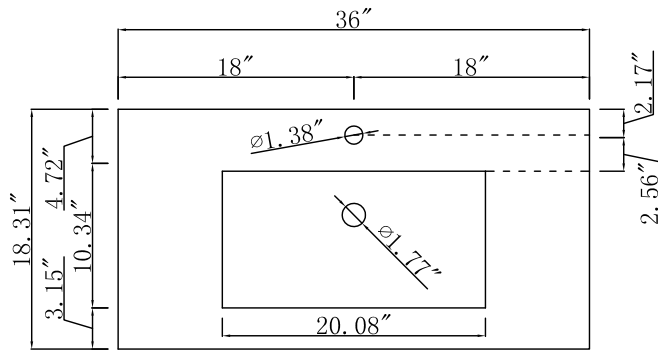
FOR PROPOSAL ONLY. ALL DIMENSIONS TO BE VERIFIED

Drawing Date:2019-5-7

REVISIONS

- ①
- ②
- ③
- ④
- ⑤

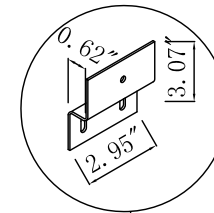
DWG. NO.



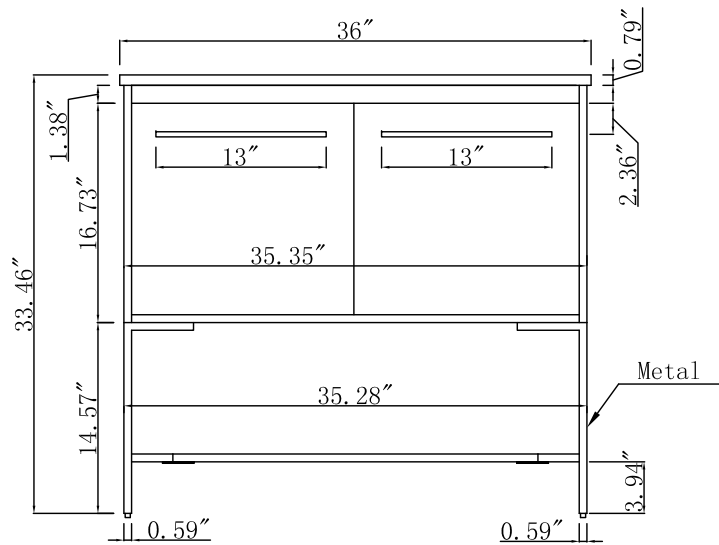
Top view



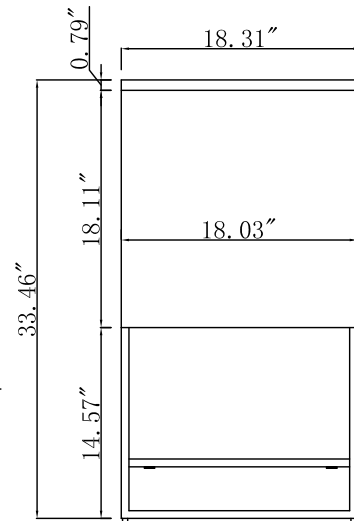
Length:13"



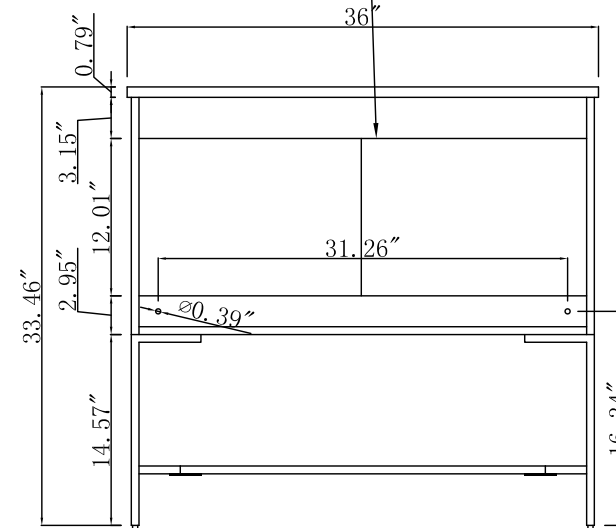
Metal bracket



Front view

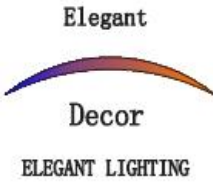


Side view



Back view

|                            |           |                             |              |                             |           |   |        |                                |              |
|----------------------------|-----------|-----------------------------|--------------|-----------------------------|-----------|---|--------|--------------------------------|--------------|
| Model #                    | VF42036WH | "Number of Doors "          | 2            | "Table: seating capacity"   | 1         | "drawer glide extension"                        | N/A    | "cabinet interior width"       | 34.17"       |
| Finish                     | White     | "Finished Back "            | NO           | "upholstery color"          | N/A       | "drawer glide material"                         | N/A    | "cabinet interior depth"       | 16.85"       |
| "Hand Painted"             | NO        | "Hardware finish "          | Black        | "upholstery pattern"        | N/A       | "drawer dividers"                               | N/A    | "leg height"                   | 14.57"       |
| "Mirror type"              | N/A       | "Assembly "                 | YES          | "cushion material"          | N/A       | "Drawer Interior finish"                        | N/A    | "leg width"                    | 35.28"       |
| "Beveled glass"            | N/A       | "Product Width "            | 36"          | "base finish"               | White     | "Ball Bearing Glides"                           | N/A    | "leg depth"                    | 17.83"       |
| "Frame material "          | MDF       | "Product Depth"             | 18.31"       | "powder coated finish"      | YES       | "soft close drawer glides"                      | N/A    | "gloss finish"                 | NO           |
| "Solid wood construction " | N/A       | "Product Height"            | 33.46"       | "base material"             | MDF       | "Number of cabinets"                            | 1      | "stackable"                    | NO           |
| "Drawers Included "        | NO        | "Package LENGTH"            | 40.2"        | "top material"              | Porcelain | "shelf height"                                  | 3.94"  | "leg design"                   | Bracket legs |
| "Number of Drawers"        | N/A       | "Packaged WIDTH"            | 25.6"        | "wood species"              | MDF       | "shelf width"                                   | 27.76" | "Armoires: ring slots"         | N/A          |
| "Joinery Type "            | N/A       | "Packaged HEIGHT"           | 25.2"        | "tip over restraint strap " | N/A       | "shelf depth"                                   | 17.83" | "Armoires: hooks"              | N/A          |
| "Drawer railing "          | N/A       | "Package Weight(lbs) "      | 99           | "shape of top"              | Rectangle | "Shelf thickness"                               | 0.59"  | "armoires: mirror dimensions " | N/A          |
| "Drawer Width"             | N/A       | "Product Weight(lbs)"       | 86           | "lift top"                  | NO        | "Any certification?"<br>(CARB/TSCA VI)          | YES    | "door thickness"               | 0.59"        |
| "Drawer Depth "            | N/A       | "Shipping Type"             | Small Parcel | "shelf material"            | MDF       | "California Proposition 65<br>warning required" | YES    | "false drawers?"               | N/A          |
| "Drawer Height "           | N/A       | "table top width"           | 18.31"       | "adjustable shelves"        | NO        | "Drawers Interior Height"                       | N/A    | "sink type "                   | Porcelain    |
| "Shelves "                 | YES       | "table top finish"          | White        | "Drawer Handle designs"     | Bar Pulls | "Drawer Interior Width"                         | N/A    | "# of faucet holes "           | 1            |
| "Number of Shelves "       | 1         | "glass top tempered"        | NO           | "saftey stop"               | YES       | "Drawer Interior Depth"                         | N/A    |                                |              |
| "Doors included "          | YES       | "table top maximum weight " | 66 LBS       | "felt lined drawers"        | N/A       | "cabinet interior height"                       | 17.52  |                                |              |

|   |  |
|---|--|
| <b>DWG. NO.:</b>  |  |
| <b>MODEL NO.:</b>   |  |
| <b>ALTERATIONS</b>  |  |
| ①   |  |
| ②   |  |
| ③   |  |
| ④   |  |
| <b>FOR PROPOSAL ONLY ALL DIMENSIONS TO BE VERIFIED</b>  |  |
| <b>SCALE:</b>   |  |
| <b>DWG. BY:</b>   |  |
| <b>CHECKED BY:</b>  |  |
| <b>DATE:</b>  |  |
| <b>PROJECT:</b>   |  |
| <b>Qty:</b>   |  |
| <b>Color:</b>   |  |
| <b>DRAWING TITLE:</b>   |  |
| <b>FINISH:</b>  |  |
|  <p><b>Elegant</b><br/><b>Decor</b><br/>ELEGANT LIGHTING</p> |  |